

Messing magneetventiel 3/2 direct gestuurd

Productnummer **8152**

Geschikt voor de maten van 1/8" tot en met 1/4"

Presentation:

Direct acting S.V. for interception of fluids compatible with the construction materials.

Minimum operational pressure is not required.

The materials used and the tests carried out ensure maximum reliability and duration.

Use: Automation
Heating

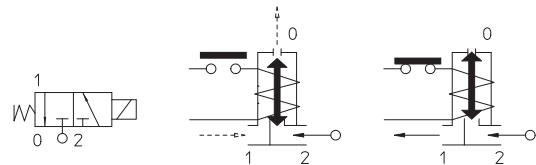
Pipes: G 1/8 - G 1/4

Coils: 8W - Ø 13
BDA - BSA 155°C (class F)
BDV 180°C (class H)
(1) Explosion-proof housing for coils with electrical connections EN 175301-803 on request



COIL HOUSING AND COIL FORMER MATERIAL ARE MADE BY 100% VIRGIN MATERIAL.

Gaskets	Temperature		Medium
V=FKM (fluoroelastomer)	- 10°C	+140°C	Mineral oils (2°E), gasoline gas oil
B=NBR (nitrile rubber)	- 10°C	+ 90°C	Air, inert gas, water



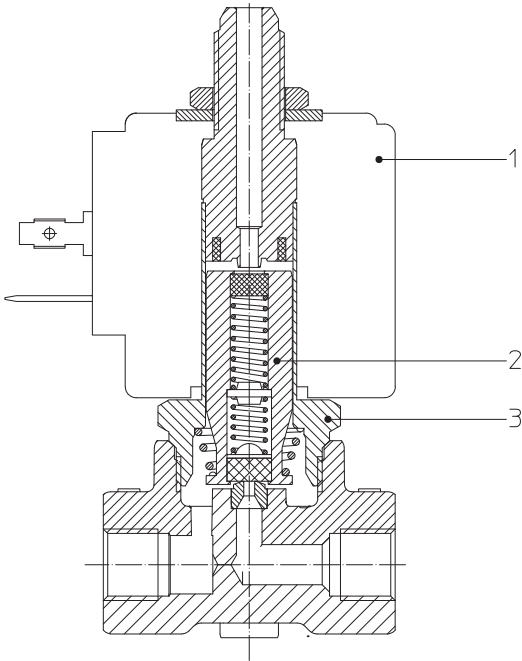
Pipe ISO 228/1	Max viscosity		Ø mm	Kv l/mn	Power watt	Pressure		
	cSt	°E				min bar	M.O.P.D.	
							AC bar	DC bar
G 1/8	12	~ 2	1*	0,45	8	0	20	20
			1,5*	1,4			15	15
			2*	2			10	10
	53	~ 7	2,5*	3,2			6	6
			3*	4			5	5
			1*	0,45			20	20
G 1/4	12	~ 2	1,5*	1,4	8	0	15	15
			2*	2			10	10
			2,5*	3,2			6	6
	53	~ 7	3*	4			5	5

Note

* 3rd way exhaust= Ø 2,5 mm

Also available with brass body without lead.

Messing magneetventiel 3/2 direct gestuurd



Materials:

- Body** Brass - UNI EN 12165 CW617N
- Armature tube** Stainless steel AISI series 300
- Fixed core** Stainless steel AISI series 400
- Plunger** Stainless steel AISI series 400
- Phase displacement ring** Copper - Cu 99,9%
- Spring** Stainless steel AISI series 300
- Seal** Standard: V=FKM
On request: B=NBR
Stainless steel AISI series 300

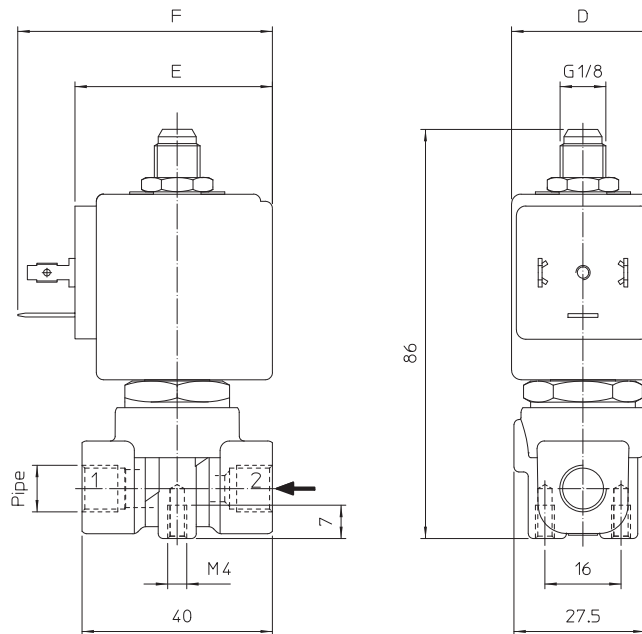
Orifice: Insert slot

- On request:**
- Connector** Pg 9 or Pg 11
- Connector conformity** ISO 4400

Features:

- Electrical conformity** IEC 335
- Protection degree** IP 65 EN 60529 (DIN 40050)
with coil fitted by connector

Dimensions:



Pipe ISO 228/1
G 1/8
G 1/4

COIL TYPE	POWER ABSORPTION			DIMENSIONS		
	W ---	Hold VA ~	Inrush VA ~	D mm	E mm	F mm
B	8	14,5	25	30	42	54